

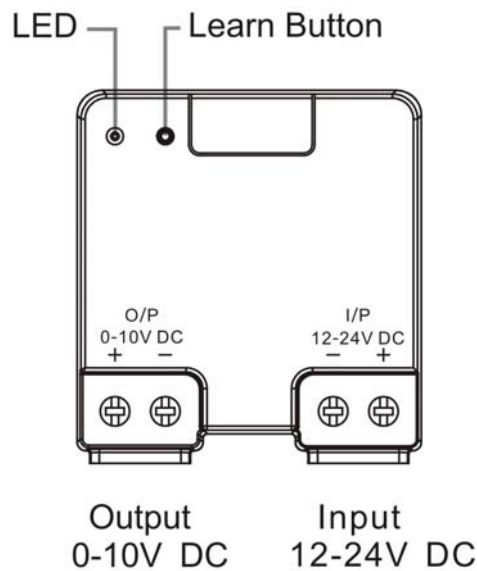
Operation Manual

Model: Dimmer module for LED drivers with 0-10V control
 Item No.: LDR-1303

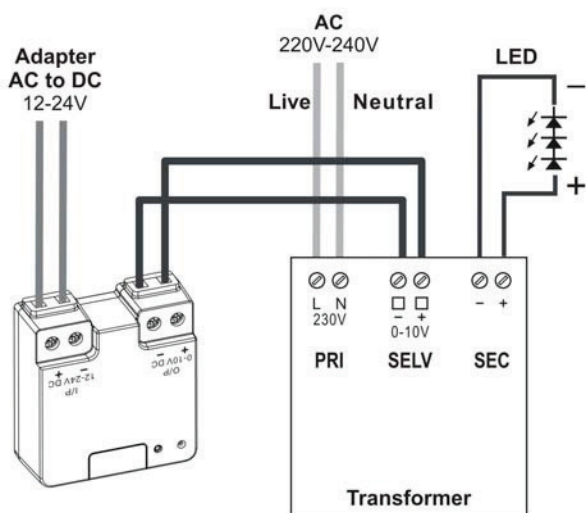
Overview:

Dimmable module especially designed for LED drivers with 0-10V control.
 Simply turns your existing LEDs to wireless remote control.

Specification



Wiring:



1. Cut off main power before installing and wiring.
2. Connect adapter 12-24VDC to terminal 'Input' making sure the positive + and negative - wire are correctly connect

into terminal.

3. Connect wires from terminal 'Output' to Transformer 0-10V terminal making sure the positive + and negative - wire are correctly connected into terminal.
4. Connect AC 220V-240V Live/ Neutral wire into transformer's Live/ Neutral terminal.
5. Connect LED to transformer terminal making sure the positive + and negative - wire are correctly connected into terminal.

※ Module will not respond if + / - wires are connected incorrectly into terminal.

Pairing

Module can pair with up to 6 different remote controls at any one time as it has a **maximum of 6 memories**.

This receiver is not to be controlled by "Code Switch System" remote controls.

Only compatible to "Self Learning System" remote controls.

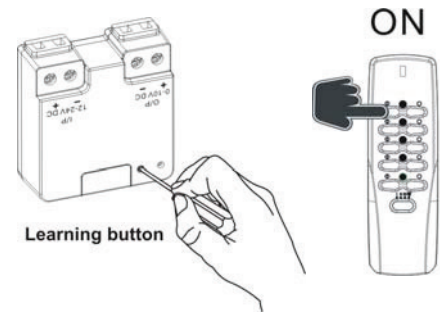
Pairing using **LEARNING MODE**:

1. On the module press the '**Learn**' button once (LED on module will flash), this will now enter learning mode.
2. Using a remote control press the '**ON**' button intended to be paired; LED will flash twice to confirm that the remote control is now paired.

NOTE: Learning mode lasts for 12 seconds; if no signal is received from a remote control during this time then the module will automatically exit learning mode without pairing the device.

To exit learning mode manually, simply press the '**Learn**' button again.

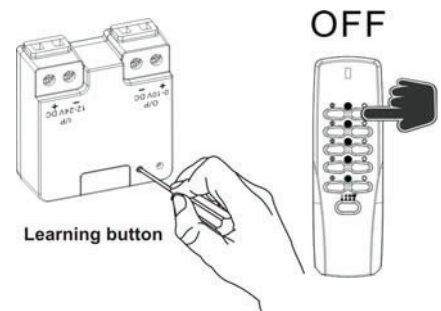
! If during learning mode the module does not react and LED on module continues to flash, this means that the module's memory is **FULL** and no further remote control may be paired unless one of the existing remote control is first unpaired (see below).



Un-pairing

Removing single device:

1. On the module press the '**Learn**' button once (LED on module will flash), this will now enter learning mode.
2. Using a remote control press the '**OFF**' button intended to be un-paired; LED will flash twice to confirm that the remote control is now un-paired.



Clearing Memory (will remove all paired remote controls):

On the module press the '**Learn**' button for 6 seconds (LED on module will flash), release then press once again. LED will flash twice to confirm that all remote control is now unpaired.

※ **Important** ※

LED (s) must be under 'OFF' state when performing 'pairing , un-pairing and clearing all memory' procedure!

Lowest brightness setup

- Total 4 dim level starting from '4' (Highest) through to '1' (Dimmest).
1. With a remote control, turn '**ON**' the dimmer module receiver.
 2. Press the '**Learn**' button **2 times**, this will enter the brightness level setup.
 - A) Initial setting will be at factory pre-set. (Highest dim level).
 - B) 2nd setting and after will be at previous stipulated dim level setting.

3. With the remote control press the 'OFF' button once to decrease the dim level, once it reaches to dim level '1' the dimmer module receiver will not react any further.

OR

With the remote control press the 'ON' button once to increase the dim level, once it reaches to dim level '4' the dimmer module receiver will not react any further.

4. During the adjustment, **LED will dim in steps** to the relevant brightness.

5. For the best appropriate setup, LED should NOT flicker or turn OFF.

6. On the appropriate dim level press the 'Learn' button **2 times** to complete the dim level setup, LED will flash twice to confirm.

NOTE: Setup last for 30 seconds, if no signal is received from a remote control during this time then the module will automatically exit the setup mode.

Operation

Soft start ON/OFF Function:

Press the 'ON' button on remote control, LED(s) will gradually illuminate.

Press the 'OFF' button on remote control, LED(s) will gradually turn OFF.

Dimming Function:

1. Make sure the LED(s) is turned ON.

2. On the remote control press the ON button again, the LED(s) will start to dim.

3. To stop at the desired brightness level, press the ON button again.

※ Dimming level dims in cycle, during the cycle if no signal is given 『 with 4 cycles it will stop at 100% brightness 』 .

! After setting a dim level using the remote control the LED(s) is then switched OFF, the next time that the LED(s) is switched back ON again, LED(s) will directly return to the previous stipulated brightness.

Caution:

Please leave minimum of 1.5 meters in-between 2 or more receivers.

Specification:

RF frequency: 433.92 MHz

Remote distance: 50 meters (open field)

Input rating: 12-24VDC

Output rating: LED driver with 0-10V control input