

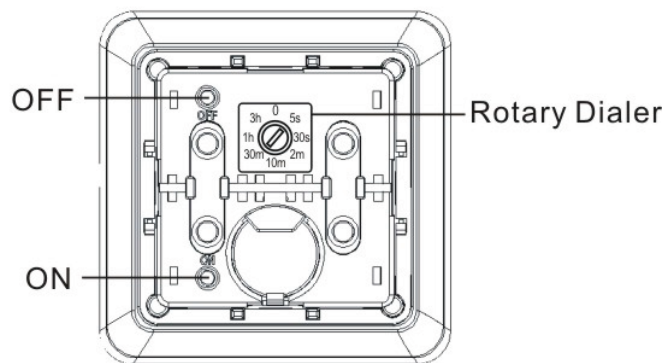
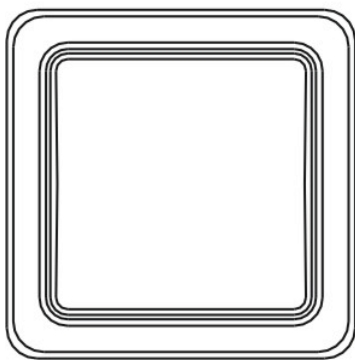
## Operation Manual

Model: One gang wireless wall switch with built in timer.  
 Item No.: WST-916

### Overview:

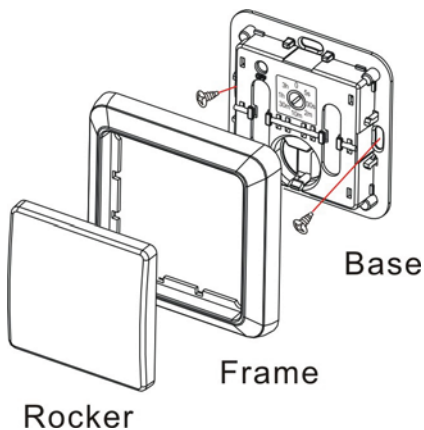
Eco friendly one gang wireless wall switch with built in 'OFF' timer.  
 Not just simple manual ON / OFF / Dim functions, it comes with additional 7 selection of delay 'OFF' time.  
 5s / 30s / 5m / 10m / 30m / 1hr / 3hrs  
 Easy installations with either screw fix into current wall box or affix any location with adhesive tape.

### Specification:



### Installation

1. Screw base into wall or wall box.
2. Affix frame onto base.
3. Affix rocker onto frame.



### Pairing

Pairing using **LEARNING MODE**:

1. First choose the desired receiver(s) that you wish to control.
  2. Press the '**Learn**' button once (LED will flash), this will now enter learning mode.
  3. On the wall switch press the '**ON**' button; the load will flash twice to confirm that the wall switch is now paired.
- ! If pairing with CFR-2022 & CFR-2027, the rotary dialer must first be positioned in '0' in order to function correctly.

**NOTE:** Learning mode lasts for 12 seconds; if no signal is given to the receiver then it will automatically exit learning mode without pairing the device.

To exit learning mode manually, simply press the **‘Learn’** button again.

! If, during learning mode the load does not flash to confirm, this means that the receiver’s memory is **FULL** and no further remote control may be paired unless one of the existing remote control is first unpaired (see below).

### **Un-pairing**

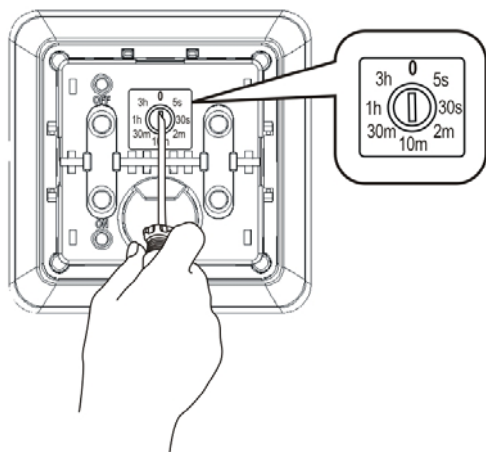
Removing single Device:

1. With the receiver that you intent to un-pair press the **‘Learn’** button once (LED will flash), this will now enter learning mode.
2. On the wall switch press the **‘OFF’** button; the load will flash twice to confirm that the wall switch is now unpaired.

### **Product Setup**

Manual ‘ON/OFF’ function.

With a screw driver position the rotary dialer to ‘0’ position.



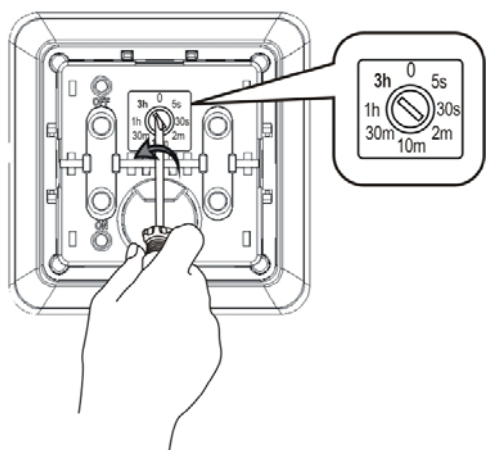
Delay ‘Off’ function.

5secs (more suitable for gate door) / 30secs / 5mins / 10mins / 30mins / 1hr / 3hrs

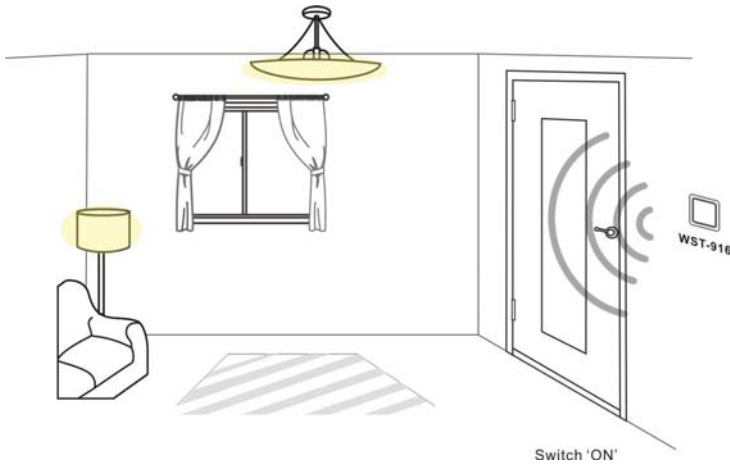


With a screw driver adjust the rotary dialer to the desired time.

Example: Set at ‘3hr’

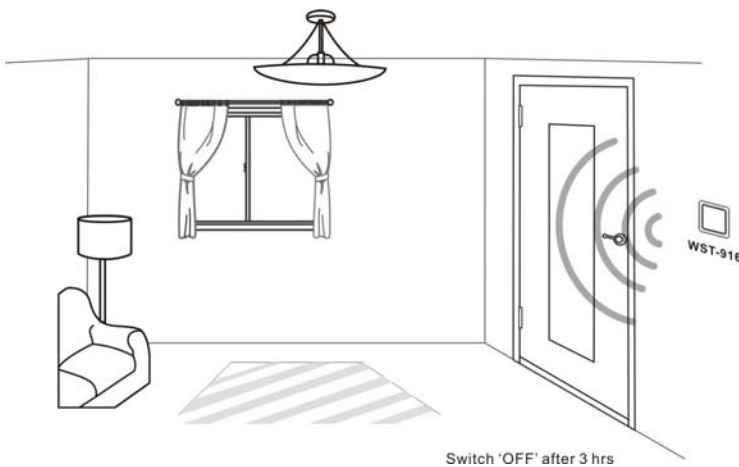


1. Switch 'ON' the living room load (light).



2. Timer will start the countdown until it reaches 3 hours.

3. After 3 hours, wall switch will automatically send an 'OFF' signal to the load (light).



**NOTE:**

During countdown interval for ON/OFF receiver(s) if;

- 2<sup>nd</sup> 'ON' button is pressed, the timer will restart countdown from the beginning.
- 'OFF' button is pressed, will turn 'OFF' the load (light) and exist the timer countdown.

During countdown interval for Dimmer receiver(s) if;

- 2<sup>nd</sup> 'ON' button is pressed, the load (light) will start to dim and at the desired brightness level press the 'ON' button again. Note the timer will restart countdown from the beginning.
- 'OFF' button is pressed, will turn 'OFF' the load (light) and exist the timer countdown.

**Operation**

ON/OFF Function:

Press the 'ON' button on wall switch, the lights will gradually illuminate.

Press the 'OFF' button on wall switch, the light will gradually turn OFF.

Dimming Function:

1. Make sure the load (light) is switched ON.
  2. On the wall switch press the ON button again, the loads will start to dim.
  3. To stop at the desired brightness level, press the ON button again.
- ※ Dimming level dims in cycle, during the cycle if no signal is given 『with 4 cycles it will stop at 100% brightness』 .
- ! After setting a dim level using the wall switch the light is then switched OFF, the next time that the light is switched back

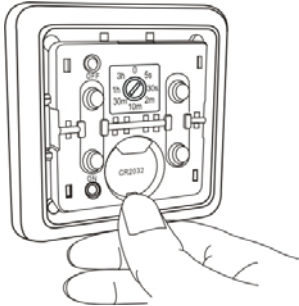
ON again the load (light) will return to the previous stipulated brightness.

## **Battery Replacement**

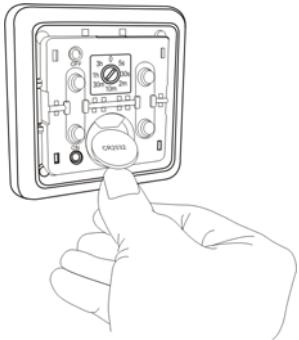
3V CR2032 lithium battery is included.

When the battery voltage is low, the transmission range will be reduced accordingly.

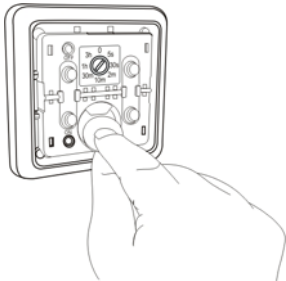
1. Press the battery holder.



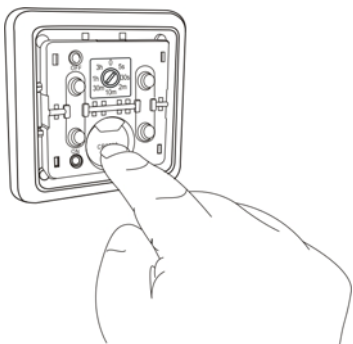
2. Remove battery.



3. Replace fresh battery making sure '+' positive terminal is facing up



4. Push battery firmly into battery compartment.



## **Specification**

Frequency: 433.92MHz

Battery: 1 x Lithium battery 3V CR2032