

Operation Manual

Model Two-gang control,
original light switch retainable RF transmitter
Item No.: WBT-912 (DC type, dry contact)

★ FEATURES:

- Advantage is able to retain existing light switch as a trigger signal input to WBT-912 wall box transmitter and compatible use RF receiver as wireless lighting control
- 67 million self learning code system.
- RF control, ON/OFF/DIMMER function.
- Dry contact wiring only. Not wiring to AC current.
- Compatible only to KAPPA self learning receivers.

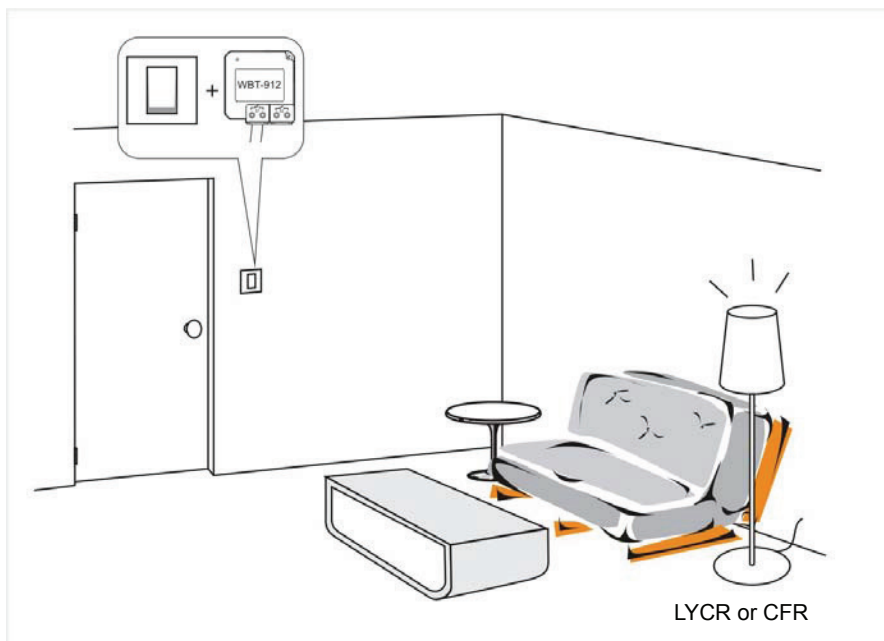
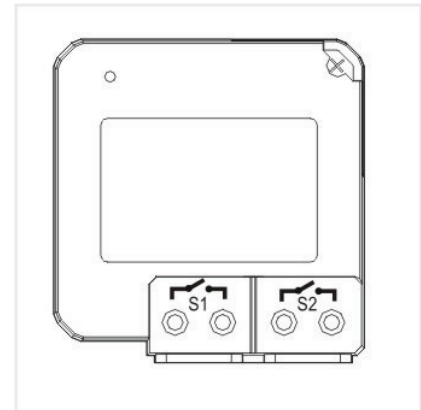
★ APPLICATION AND WIRING:

In below example:

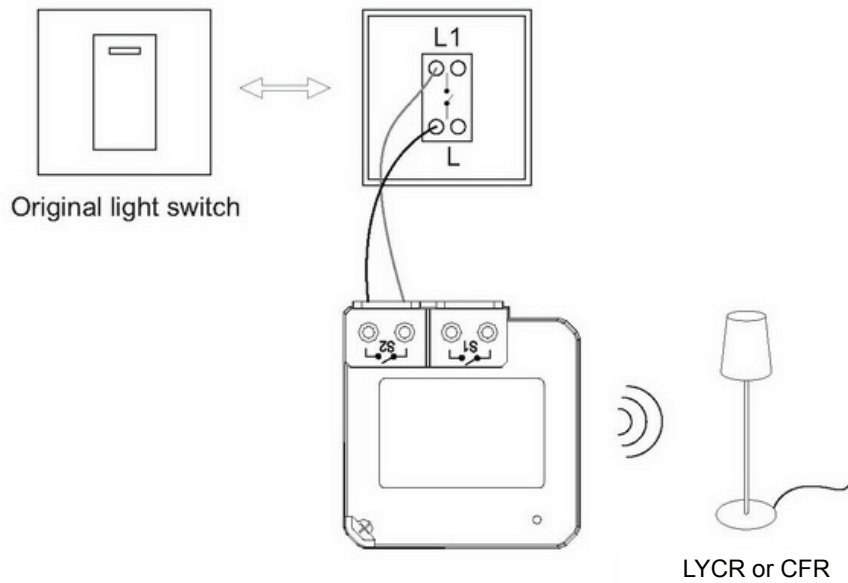
Single-gang light switch connecting WBT-912:

Push light switch can trigger a signal to WBT-912 to send a command to the receiver which is code linked in advance to switch on/off/dimming the connected light.

As long as many receivers learnt the code from this WBT-912 in advance, these receivers can be remote controlled simultaneously by pushing the light switch.



Dry contact (not AC current wire) wiring WBT-912 with original light switch as illustration.

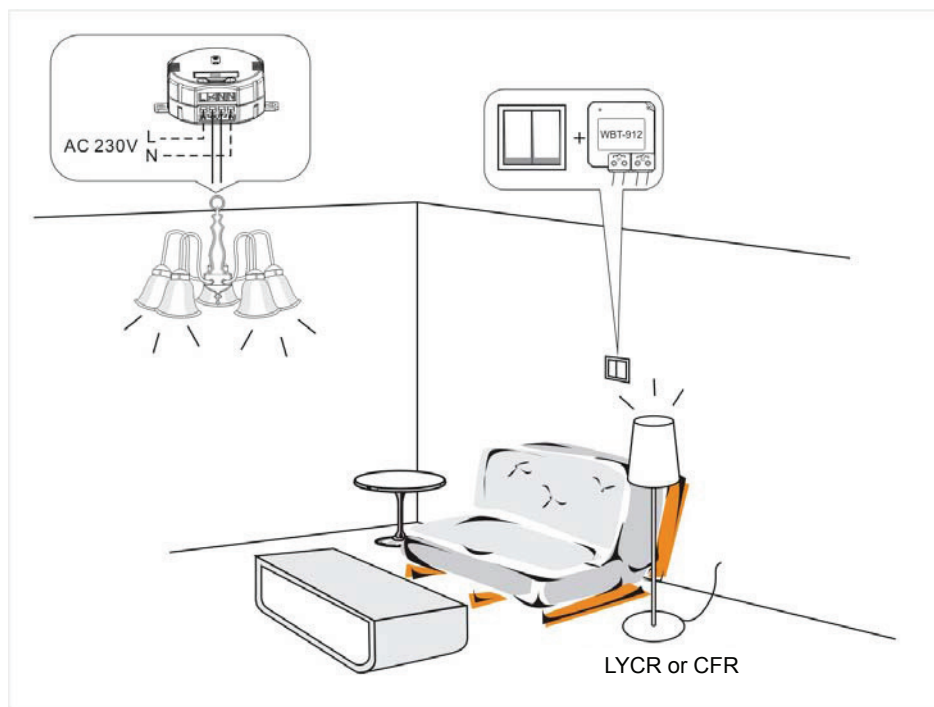


Two-gang light switch connecting WBT-912:

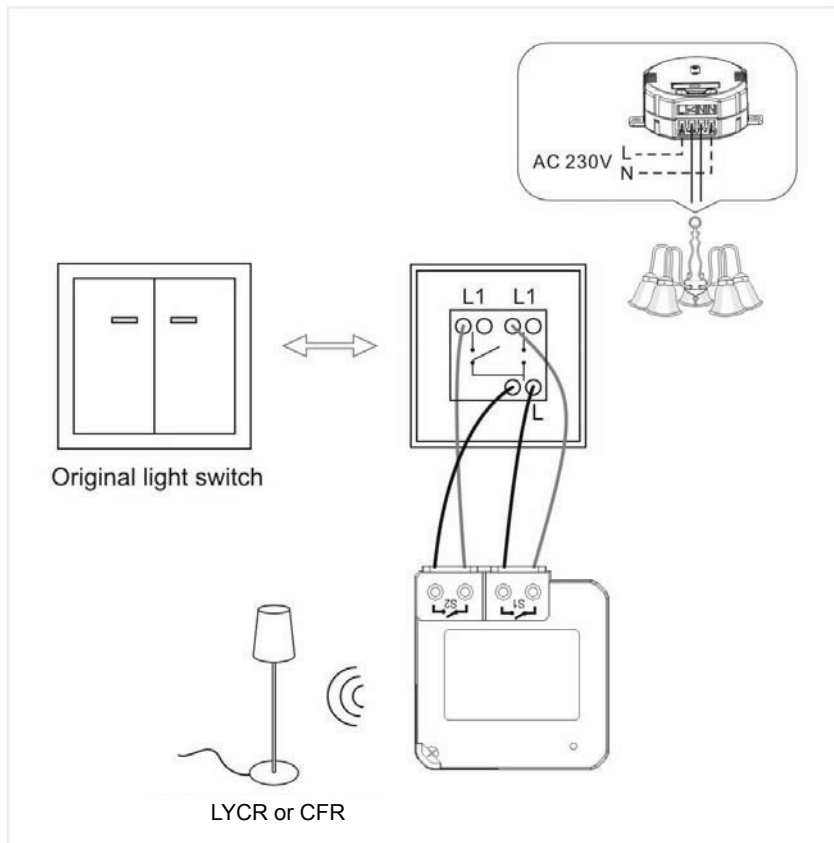
Push each 1 of the 2-gang light switch can trigger a signal to WBT-912 to send a command to the receiver which is code linked in advance to switch on/off/dimming the connected light.

As long as many receivers learnt the code from this gang of WBT-912 in advance, these receivers can be remote controlled simultaneously by pushing this gang of the light switch.

In this example, left gang of the original light switch wiring with left channel of WBT-912 can control LCMR linked ceiling light. Right gang of the original light switch wiring with right channel of WBT-912 can control CFR light.



Dry contact (not AC current wire) wiring WBT-912 with original light switch as illustration.



★ CODE LINK AND DELETE

HOW TO LINK CODE:

- * To start, transmitter needs to be first link with receiver.
- * WBT-912 wires with original light switch properly and receivers connect with AC power and lamp (loading) actually. (receiver's wiring and connection, read to each receiver's instruction manual)
- * Push the self program button on receiver once, receiver LED will blink slowly.
- * Press light switch button to "ON" position, WBT-912 sends signal to receiver.
- * Receiver connected lamp will blink twice, code is confirmed and LED stops blinking.
- * Transmitter and Receiver code is auto programmed.

HOW TO CHANGE OR DELETE CODE :

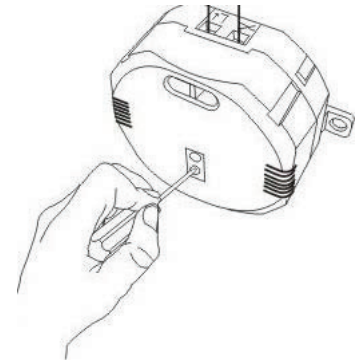
INDIVIDUAL DELETE

- * Push the receiver self program button once, LED will blink slowly.
- * Press light switch button to "OFF" position, transmitter sends signal to receiver.
Programmed memory is deleted from receiver.
- * Receiver connected lamp will blink twice for confirmation.

ALL MEMORY DELETE

- * Push the receiver self program button for about 6 sec... till LED blinks continuously.

- * Release and push again once.
- * Receiver connected lamp will blink twice for confirmation.
- * All programmed memory will be deleted from receiver.



★ OPERATION:

ON/OFF function:

- * Press light switch button to ‘ON’ position for switching ON function.
- * Press light switch button to ‘OFF’ position for switching OFF function.

DIMMER function:

- * Press light switch button ‘ON’-’OFF’-’ON’, start to dim.
- * Press ‘OFF’-’ON’ again, to stop light at required brightness.
- * Press ‘OFF’-’ON’ again to start dim again.

OTHER CONDITION:

Condition 1:

- * Press light switch button to “ON” position for switching lamp on.
- * If the receiver is linked with other code from other transmitter, for example LYCT-505, use LYCT-505 to switch this receiver connected lamp off.
- * Next want to use original light switch to turn on this lamp again, must press light switch to “OFF” and then to “ON” position.
- * Vice versa.

Condition 2:

- * Down stair and Up stair (two-way switch) originally can wire-switch on/off a lamp.
- * Now down stair switch connect a WBT-912 and up stair switch connect another WBT-912. Both WBT-912 learn with a same receiver which connect to the lamp.
- * When pressing ON (switch button in the ‘ON’ position) in the down stair to switch on the receiver connected light, going up stairs can press OFF (switch button in the ‘OFF’ position) to switch off the light.

★ BATTERY CHANGE:

Take out battery compartment and replace fresh new CR2032 cell battery.

★ SPECIFICATION:

Frequency: 433.92 MHz
 Battery operated: 3V CR2032 cell battery (enclosed ex-factory)
 Remote distance: 50 meters (open field)

★ CAUTION:

Do not connect WBT-912 to AC current to avoid blow-up.

